



ZK-L4 / ZK-L5 / ZK-L6

Mounting Bracket for Visible Light Products

ZK-L4 Mounting Bracket is made of aluminum alloy. The surface is oxidized, is glossy, and corrosion-resistant; the bracket can be flexibly stretched too. The height is suitable for people of different heights, and it is ideal for semi-outdoor and indoor scenarios.

ZK-L5 & ZK-L6 Mounting Brackets are made of refined SPCC steel and adopt powder spraying with outstanding corrosion resistance and oxidation resistance, suitable for indoor and semi-outdoor scenarios. The height of ZK-L5 bracket can also be flexibly adjusted to adapt to different people's height.

Features

- Multi-angle and flexible adjustment
- High compatibility with different models
- Height can be adjusted freely

Specifications

	ZK-L4	ZK-L5	ZK-L6
Dimensions (mm)	336*292*870	336*292*977	307*313*1260
Bracket Weight (kg)	1.45	4.35	4.5
Base Weight (kg)	3.37	3.37	4.37
Material	Aluminum Alloy	SPCC	SPCC
Range Adjustment	-10° to 30°	-10° to 30°	/
Height Adjustment (mm)	970mm to 1670mm	970mm to 1670mm	1260mm (Fixed)

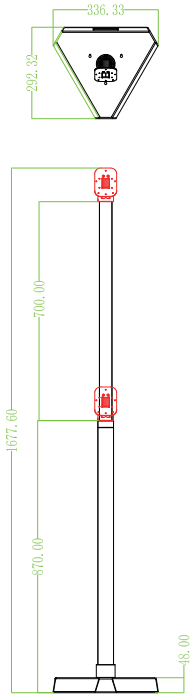
Suitable Models

Proface X Series, SpeedFace-V5 & V5L Series, SpeedFace-H5 & H5L Series, FaceDepot-7B / 7BL, G4 / G4L, Elite Access

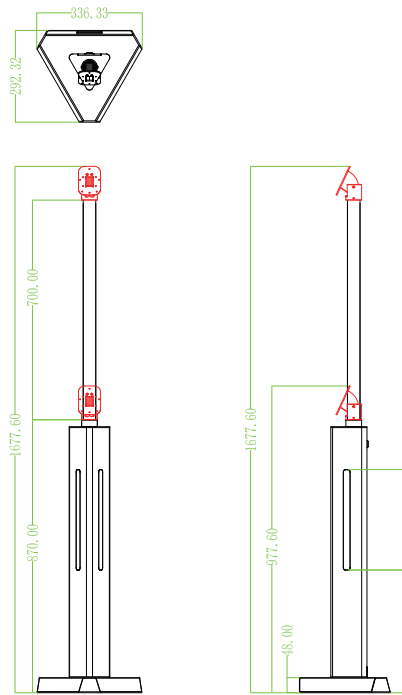
Applications

Indoor or semi-outdoor environments (Except TI or TD terminals)

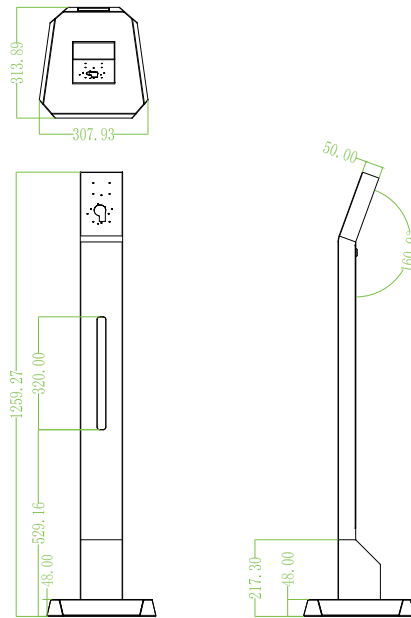
Dimensions(mm)



ZK-L4



ZK-L5



ZK-L6

