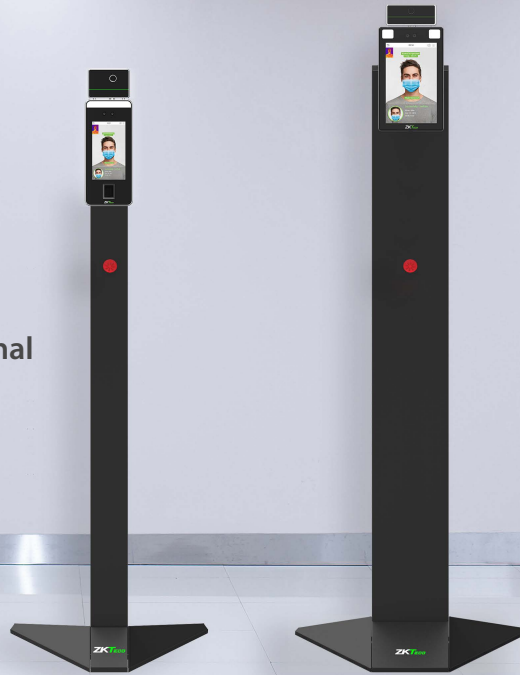


ZK-L1 / ZK-L2

A Floor-mounted Bracket for the Visible Light Facial Recognition Terminal



ZK-L1 & ZK-L2 are Floor-mounted Brackets for ZKTeco Visible Light Face Terminals, which are made of refined SPCC steel and adopt powder spraying process with great corrosion resistance and oxidation resistance, suitable for indoor and semi-outdoor scenarios.

Features

- High compatibility with different models
- Flexible angle adjustment with Rots-1 (Optional): Vertical 20°, Horizontal 30°

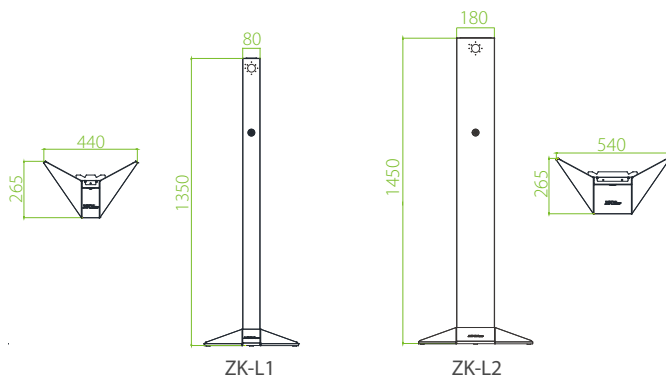
Specifications

Model	ZK-L1	ZK-L2
Dimensions (mm)	400*265*1350	540*265*1450
Material	SPCC	SPCC
Optional	Rots-1 stand, black or white bracket	

Compatible models: SpeedFace-V5 & V5L Series, Proface X Series, Elite Access, RevFace 10[TI], SpeedFace-H5 & H5L Series, FaceDepot-7B / 7BL

Application Situation: Indoor or semi-outdoor environments (Except TI or TD terminals)

Dimensions (mm)



Accessories

